

THE RADIO HILL GAZETTE

Volume XXXII Issue III

March 2007

Celebrating Our 32nd Year in Publication

Club Calendar of Events



March 2007

| | | | |
|-----|----|---------|---|
| | 1 | 9:00 PM | SARC Net 145.230 kHz |
| Thu | | | |
| Sat | 3 | 8:00 AM | Official Saturday Morning Breakfast – Maxfields |
| Sat | 3 | 9:00 AM | VE Testing Session - CRC |
| Thu | 8 | 9:00 PM | SARC Net 145.230 kHz |
| Sat | 10 | 8:00 AM | Construction Projects @ STP |
| Thu | 15 | 7:00 PM | Monthly Club Meeting - CRC |
| Thu | 22 | 9:00 PM | SARC Net 145.230 kHz |
| Sat | 24 | 8:00 AM | Construction Projects @ STP |
| Wed | 28 | 7:00 PM | Board of Directors meeting – Schaumburg Airport |

CLUB MEETINGS ARE HELD AT THE SCHAUMBURG RECREATION CENTER ON THE SOUTHEAST CORNER OF SPRINGINSGUTH AND BODE ROADS. OUR NETS ARE HELD EVERY THURSDAY (except Meeting nights) AT 9PM ON THE K9IHK REPEATER; 145.23 MHz.-600 kHz WITH 107.2 Hz PL

Presidential Deep Thoughts by Kent Ochs

Would it be better to be known as the Board and Officers that

1. Were responsible for the finance demise of the club.
- Or
2. Raised club membership dues.

Your Board and Officers would rather it be the later.

To the best of your Board and Officers collective knowledge, it has been over ten years since Club Membership dues have been raised. With the pending expenses associated with the transfer of the repeater to club ownership, coupled with the rising operating expenses and decreased membership, the time has come to increase dues. Effective July 1st, 2007, club yearly dues will be increased by \$5, across the board. New Memberships will now be \$30, Regular Memberships will now be \$25 a year, Senior Memberships will be \$20 a year, and Family Memberships will be an additional \$15 per person, per year.

A recent survey conducted by John Bettasso, AJ9ON, Club Secretary, showed that this increase would put our yearly dues inline with some of the other, large Amateur Radio clubs in the Chicagoland area. The Schaumburg



April 2007

| | | | |
|-----|----|---------|---|
| Wed | 4 | 7:00 PM | Board of Directors meeting – Schaumburg Airport |
| Thu | 5 | 9:00 PM | SARC Net 145.230 kHz |
| Sat | 7 | 8:00 AM | Official Saturday Morning Breakfast – Maxfields |
| Sat | 7 | 9:00 AM | VE Testing Session - CRC |
| Thu | 12 | 9:00 PM | SARC Net 145.230 kHz |
| Sat | 14 | 8:00 AM | Construction Projects @ STP |
| Thu | 19 | 7:00 PM | Monthly Club Meeting - CRC |
| Thu | 26 | 9:00 PM | SARC Net 145.230 kHz |
| Sat | 28 | 8:00 AM | Construction Projects @ STP |

Amateur Radio Club is entirely funded by dues, and other than the monthly 50/50 drawing, members are never asked to participate in other fund raising activities.

When you think about it, \$25 a year equals slightly less than .07 cents per day to maintain your membership in SARC. For .07 cents a day, you will have full access to all the features of the club repeater and a monthly copy of the RHG. The club will continue to sponsor VE Testing, Construction Projects, Fox Hunts, Public Service Events, Club Picnics, Field Day, Holiday Parties, and other social activities. There is no doubt that SARC provides as many, if not more activities for its club members, than any other club in the area.

As part of the dues increase, the club will also institute a change in the collection of Membership dues. In the past dues were collected in the month the member joined the club. Effective July 1st, the Club will be moving to a system where all memberships will be due on the same date. This will simplify collections and allow for better budgeting. A plan for prorating dues, based on last payment date, will be forth coming.

Your club Board and Officers will continue to look for ways to reduce expenses and maintain membership levels, so that it will be another ten years or more before dues are raised again. Then again, maybe we should hold a *fund raiser*? Car Wash or Bake Sale anyone?

THE SARC SOCIAL CORNER WITH KIM BETTASSO

I have to start this article with a plea for forgiveness. One of my responsibilities as our club's social director is to keep you all informed of what's going on with the club. Needless to say, it's already March and this is my first article. On that note, I have some catching up to do.

For the December club meeting, we partook in our Christmas party. To be honest, turnout was

rather mediocre, but for those of us that were there, it was a fun time. The January article has a recap of the evenings events and a few pictures. I've talked to a couple of you that have suggestions on different things to do for the party next year. Hopefully we can turn this around and have an even better party this year.

January and February have been rather cold, boring months. Not too much going on from a social perspective. The club did head out for breakfast as usual the first Saturday of the month. I can't speak from personal experience, but I do believe that the club has also ventured out after the club meeting for an evening of pizza and conversation. Let's keep this up gang, this is what keeps us a great, conversing club.

On a final note for this month, I would like to continue to solicit ideas for club activities from any and all of you. I'm going to admit something that I probably shouldn't. Unfortunately, I'm not overly interested in ham radio activities. Sorry everyone, I know, I don't really belong here ☺. I am more than happy to pull together activities that are not "ham" related. However, these activities are more than likely going to be things that I would be interested in doing. That's why I want and need your input. Please feel free to call me or email me or stop me at a meeting. I would be glad to spend some time discussing your thoughts and ideas. My contact information is below and is also available on the web site.

On that note, the AES Superfest is scheduled for Friday, March 30th and Saturday, 31st. I do know that John sent out a note to the club about heading up on Saturday. I do believe he has received a couple responses. If you are interested, please give him a call or email him. The store is located on Good Hope Road in Milwaukee, WI. I don't know the directions there myself, but I know a few people that have mentioned that they know the way. I also heard a rumor that there may be a side trip to the Miller Brewery if that may be of interest to you.

Finally, don't forget, the monthly breakfast is scheduled for the first Saturday of the month at 8:00 am. Looking forward to seeing you there.

Thanks for your time and I'm looking forward to talking to you and hearing your ideas.

-- Kim

berbly2@ameritech.net

847-438-2951

Q1 acts as a current regulator to determine the charge rate of the battery pack. Q1 should be mounted on a sufficient coolrib. R4 is selected from the table below, or it can be adapted and switched with a rotary selector switch (watch current rating!).

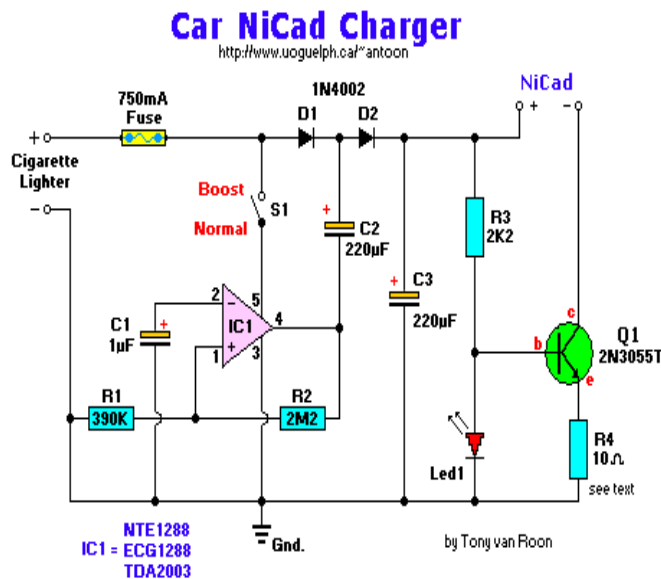
R4 can easily be adjusted for any value to suit your needs other than listed here.

| Cell Size | Amp/hr Rate | R4 Value |
|-----------|-------------|-----------------|
| N | 150mA | 120 ohms/0.25 W |
| AA | 500mA | 47 ohms/0.5W |
| C | 1500mA | 12 ohms/0.5W |
| D | 1500mA | 12 ohms/0.5W |
| D | 4000mA | 3.3 ohms/2W |

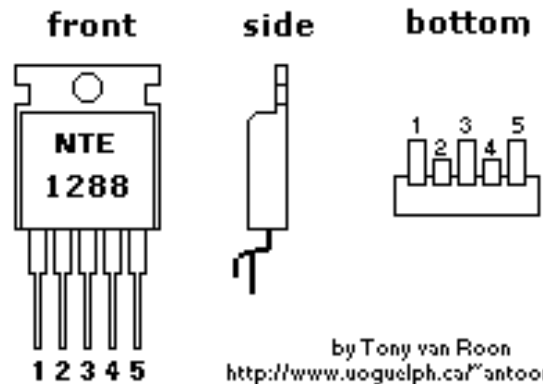
(High Capacity)

R4 value at 14hr rate

Car NiCad Charger



NTE1288 Pin configuration



This circuit provides up to 20V output from a regular 13.2V automotive battery, to enable constant current charging of nicad battery packs up to 15 cells at 1.2V (18V total). IC1 is a Linear, Audio Power Amp (10W) and was originally designed for car radios by Toshiba. Several replacement types can be used, like the ECG1288, NTE1288 and other substitutes will work fine. In this circuit, with S1 set in the 'boost' position, IC1 is used to form a squarewave oscillator, and by coupling this square wave to the 13.2V battery supply via D1 and D2 to obtain over 20 vdc. If this is not needed, S1 is left open (normal).

| Part | description | Notes |
|-------|----------------|-------------------------|
| IC1 | TDA2003 Au amp | Pwr Amp,10A, lin, 5-pin |
| Q1 | 2N3055T | NPN, Power |
| D1/D2 | 1N4002 | Gen purp rect diodes |
| LED1 | Red, 5mm | LED |
| R1 | 390K | 5%, 1/4W, carbon |
| R2 | 2.2M | 5%, 1/4W, carbon |
| R3 | 2.2K | 5%, 1/4W, carbon |
| R4 | 10 Ohm | 5%, 1/4W, carbon |
| C1 | 1uF | 25V, electrolytic |
| C2 | 220 uF | 5%, 1/4W, carbon 25V |
| S1 | Switch on/off | SPST, sub-miniature |
| Fuse | 750 mA | Slow Blow |

**Minutes of the Board of Directors Meeting
Schaumburg Amateur Radio Club, Inc.
January 31, 2007**

Attendance:

Bill Smead, K9IIM
Barb Schuyler, N9NM
Pete Schuyler, N9OF
Kent Ochs, W9KAO
Phil Sawicki, N9IQ
John Bettasso, AJ9ON
Mark Deelsnyder, KB9VHA

Pete called the meeting to order at 7:35PM
OLD BUSINESS

Treasurer's report – Kent Ochs reported that Paula completed the corporate annual report and Kent will mail.

Secretary's report – none

President's report – Kent reported that he asked for suggestions for meetings and nets to increase attendance.

Membership – none

Public service – none

Rhg – Bill Smead asked Mark to follow up if the Toystore if information is correct.

Construction – No report

VE Testing – No report

Social Activities – No report

Nets – No report

Education – No report

Fox Hunts – No reports

Publicity – No report

Programs – No report

Emcomm – No report

Old Report

N9RJV club call renewal, Al Silver is currently in the process of renewing the license.

Open chairs – The Education and membership chairs are open, see board member or officer.

The board and officers discussed taking over the repeater and past expenses, continuing the info phone line and membership dues. At the

next general membership meeting the president of board and the president will be presenting these items.

New Business

Meeting adjourned at 8:50PM

Respectfully submitted by John Bettasso,
AJ9ON Secretary

**Minutes of the Regular Meeting
Schaumburg Amateur Radio Club, Inc
Wednesday, February 21, 2007**

President Kent Ochs, W9KAO called the meeting to order at 7:07PM.

OLD BUSINESS

APPROVAL OF MINUTES AND TREASURER'S REPORT

Kent Ochs made a motion to accept treasurers and Meeting Minutes report as printed in the Feb. RHG, seconded by Rob Glowacki N9MVO and Bruce Widenhoefer, KB9JEJ. Motion carried by unanimous vote.

COMMITTEE REPORTS

Net Control - Rob Glowacki, N9MVO, reported that if anyone is interested in being a net control operator to let him know.

Membership - The club is still looking for a chairperson.

Repeater – No report

Public Service – No report

Education Chair – The club is still looking for a chairperson.

Em-Comm – No report

Program chair - Adrian Russell, KB9YAB has a few ideas such as the SM, education programs and a few local individuals.

Fund Raising- No report

VE Testing – No report

Website – No report

Construction project – Bill Smead K9IIM announced the biweekly construction projects.

RHG – Bill Smead reported that Mark Deelsnyder would appreciate any ham radio related articles.

Social Activities – Kim Bettasso reported that if you have ideas ham or non ham related activities to let her know.

Fox Hunting – Bruce Widenhoefer, KB9JEJ reported that fox hunting may start in early spring.

Field Day 07 –

NEW BUSINESS

Pete Schuyler N9OF presented to the members the following conclusions from the Board of Directors:

1. The SARC K9IIK Repeater System is a valuable Club asset which should be retained if at all possible. It is an important part of the Club's Public Service, SkyWarn and Em-Comm capability. It provides a meeting place for Club members on a daily basis. It is a window into the Club for newcomers.
2. The SARC Info Line and associated answering machine are a valuable Club asset which should be retained if at all possible. It provides a point of contact for those seeking information about our Club. The associated telephone line also provides for control and autopatch capability for the Repeater System.
3. The SARC Repeater Association has outlived it's usefulness as an independent organization.

Cliff Sowka K9QD made a motion to accept the SARC K9IIK Repeater System as a Club

asset, accept responsibility for the expenses associated with it's operation and maintenance and incorporate the SARC Repeater Assoc. as a standing committee within the Club Organization. The motion was tabled until the next regular club meeting.

Kent Ochs talked to the members about dues increases and an article will appear in the same RHG as these meeting minutes. At the next meeting, the members will vote on the increase.

Respectfully submitted by John Bettasso, AJ9ON, Club secretary.





VE TESTING RESULTS

NEXT EXAMS:
March 3, 2007
April 7, 2007

Park District CRC ; Sr. Lounge.

RESULTS FOR February 3, 2007, TEST SESSION:

| CLASS | NUMBER TESTED | NEW LICENSE or UPGRADE |
|------------|---------------|------------------------|
| Technician | 3 | 2 |
| General | 1 | 1 |
| Extra | 1 | 1 |
| Total | 5 | 4 |

NEW LICENSES

******Technician******

Carl Bloomer KC9KUA

David York KC9KUB

******GENERAL**:****

Louis Zimmermann KC9KUG

UPGRADES:

******EXTRA**:****

Glenn Carden K9EFN

The fee for taking a VE exam increased from \$12.00 to \$14.00 on January 1, 2005. This increase applies to all W5YI and ARRL VEC test sites nationwide. The increase was attributed to the diminishing number of examinees and rising costs.

According to the FCC, the test fee allows an examinee one attempt to pass or fail each of the four examination elements. In addition, the order in which the examination elements are taken is not restricted; they may be taken out of sequence.

The SARC-sponsored VE exam sessions are held at 9:00 a.m. on the first Saturday of each month (unless it is a holiday or advised to the contrary by Schaumburg Park District) at **Schaumburg Community Rec Center (CRC)**; 505 N. Springinsguth Road; Schaumburg, IL. The CRC is located at the S.E. corner of Springinsguth and Bode Road. Park in the North lot and enter through the North doors. Testing will be in the Senior Lounge just inside the doors. Signs will be posted to guide the way to the room.

As in the past, an identical fee will be assessed to any applicant who fails an exam and wants to retest at the same session. The only condition is that the same exam (identical set of questions) cannot be given to the

applicant. Since all our exams are unique, this is not a problem at our sessions.

Larry Carr NO9A
 W5YI-VEC CVE & Test Session Manager
 847-593-8658
 E mail: NO9A@ARRL.NET



2007 SARC OFFICERS

| | | |
|-------------|-------------------|--------------------|
| President: | Kent Ochs | W9KAO 847-891-6025 |
| Vice Pres.: | Phil Sawicki | N9IQ |
| Secretary: | John Bettasso | AJ9ON SkypeME |
| Treasurer: | George Greene | NE9ET |
| Director: | Bill Smead | K9IIM 847 934-1817 |
| Director: | Barb Schuyler | N9NM |
| Director: | Pete Schuyler | N9OF |
| Director: | Bruce Widenhoefer | KB9JEJ |
| Director: | Mark Deelsnyder | KB9VHA |

SARC Membership / Renewal Form

Name: _____ Call: _____ Class: N T G A E Expires: _____

Street Address: _____ City: _____ State: _____ Zip: _____

Telephone (home) _____ (work) _____ ARRL Member? Yes/No if yes, expires: _____

E-mail Address: _____

Date of Birth: _____ Spouse's Name: _____

Additional (non-voting) licensed persons at the same address (INCLUDE CALL, CLASS, AND EXPIRATION):

(If new, how did you hear about the club?) _____

Special Interests: _____

Type of membership:

- New membership – full voting (Licensed) \$25.00**
- Full Voting (Licensed) Membership renewal (\$20.00)
- Additional (Licensed) Family members at SAME ADDRESS to become full voting member(\$10.00)
- Full Voting, Senior (over 60) (\$15.00)
- Full voting, Full time Student (\$15.00)

All memberships expire one calendar year from the date you join.

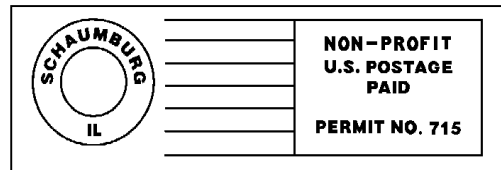
Signature: _____ Date: _____

Please submit your application by mail, in person at any club meeting, or to any club director or officer.

Schaumburg Amateur Radio Club, P.O. Box 68251, Schaumburg, IL. 60168-0251

Note! The IRS requires us to inform you that, though we are a not for profit organization, DUES are NOT tax deductible.

Schaumburg Amateur Radio Club
P.O. Box 68251
Schaumburg, IL. 60168-0251



Deliver To:



Thursday Night 9:00 Net
S.A.R.C. Repeater
145.23 MHz - 600 kHz

Don't forget to check into the net! It will only take a minute and will let other club members know how you sound on the club repeater. The net features current club news, weekly NEWSLINE, news from other clubs and (of course) the swap-and-shop. Encourage your friends who are not yet members to check in with as well. Keep in mind that this is an open net and we encourage everyone to check in. See you Thursday at 9p.m.

The Schaumburg Amateur Radio Club, Inc., is organized as a general not-for-profit corporation in the State of Illinois to render public service whenever applicable to the needs of the community and further various pursuits of amateur radio as a hobby. Meetings are generally held on the third Thursday of each month. Visitors are always welcome.

Please send all submissions for the Radio Hill Gazette to the following address:
SCHAUMBURG AMATEUR RADIO CLUB, INC. 790 Washington Blvd. Hoffman Estates, IL 60169-3077

Or E-mail to: sarc-rhg@comcast.net

We solicit letters, articles, news items, quizzes, advertisements, suggestions, and criticism -- plus anything else you can think of, including ideas to improve the RHG!

The editor reserves the right to edit submissions due to size or formatting limitations. S.A.R.C. shares newsletters with a number of other clubs. We scrutinize their publications very closely to make sure that we do not infringe on any copyrights. As a matter of form, we try to acknowledge all prior sources. Unless otherwise clearly identified as copyright protected, all material in the RHG may be used when due credit is given to the author and to SARC.

SARC is a recognized ARRL Special Services Organization.

The Schaumburg Amateur Radio Club publishes the Radio Hill Gazette monthly. Opinions expressed herein are those of the contributors and not necessarily those

of the Schaumburg Amateur Radio Club. All contents of the Radio Hill Gazette, except where noted, are ©2007 of the Schaumburg Amateur Radio Club Inc. Articles and other material may only be copied when proper credit is given to both the author and to SARC
SARC Home Page URL
<http://n9rjv.org>

